

IB

INTERNATIONAL

OCMIS
we irrigate the world

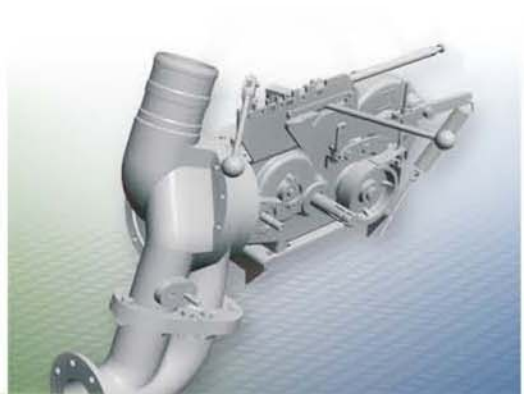




***OCMIS IRRIGAZIONE** is a public limited company. **OCMIS** was founded in 1970, with its initial production being based on the construction of precision mechanical parts and the production of irrigation machinery. The company at the start concentrated its resources on the production of **HOSE REEL IRRIGATORS** eventually establishing a position as world leader in this sector. Ocmis produces hose reel irrigators in a variety of models, which make up a range of machines suitable for any situation. Ocmis also produces pumps for tractors both for clean water and slurry as well as centrifugal pumps and overgears for thermal and electric motors. The company demands and guarantees the highest standards of quality in the raw materials used and in the finished product. A continual process of product improvement has maintained the company's position as market leader both in Italy and the World. This result confirms the reliability of the company and together with a continual investment in production (such as welding and painting automatic systems) and information technology ensures that Ocmis enters the new century as a major player in its sector.*



ibinternational.com.au





Mission

MISSION: To develop and increase the use of hard hose travelling irrigators, distinguishing ourselves from the rest through excellence and professionalism recognized by our customers who work with us throughout the world. Invest in research of new and improved applications to optimize technological improvements with the objective to increase agricultural production while reducing input costs.

For Enquiries Please Call **07 3348 8300**



Values

VALUES: QUALITY POLICY. OCMIS' objective is to maintain the leadership position it holds in the irrigation industry in the short, mid and long-term. Maintaining the leadership role is contingent upon: Research, development, investments, seeking to understand the market needs and those who operate our machines, while respecting the environment.



Vision

VISION: To contribute to the overall global agricultural production, as we perform our work, in order to support the earth and all of its inhabitants.

For Enquiries Please Call 07 3348 8300

IB
INTERNATIONAL

OCMIS
we irrigate the world

VIR4 · VIR5



| MOD. | | VIR4 | | | | | | | | | | | |
|------|-----|------|-----|-----|-----|-----|-----|-----|-----|-----|-----|-----|-----|
| Ø | mm. | 82 | 90 | 90 | 90 | 90 | 100 | 100 | 100 | 110 | 110 | 110 | 120 |
| L | m. | 500 | 380 | 400 | 470 | 500 | 330 | 360 | 390 | 300 | 330 | 350 | 270 |

| MOD. | | VIR5 | | | | | | | | | | | |
|------|-----|------|-----|-----|-----|-----|-----|-----|-----|-----|-----|-----|--|
| Ø | mm. | 100 | 100 | 110 | 110 | 110 | 120 | 125 | 125 | 125 | 135 | 140 | |
| L | m. | 450 | 500 | 400 | 450 | 470 | 400 | 320 | 350 | 380 | 300 | 290 | |

L = Length

Photos should be used as a guide only

IB
INTERNATIONAL

OCMIS
we irrigate the world

VIR6



WWW.IBINTERNATIONAL.COM.AU

| MOD. | | VIR6 | | | | | | | |
|------|-----|------|-----|-----|-----|-----|-----|-----|-----|
| Ø | mm. | 100 | 110 | 110 | 120 | 125 | 125 | 135 | 140 |
| L | m. | 600 | 500 | 550 | 460 | 400 | 440 | 380 | 350 |

L = Length

Photos should be used as a guide only

IB
INTERNATIONAL

OCMIS
we irrigate the world

VIR7



For Enquiries Please Call **07 3348 8300**

| MOD. | | VIR7 | | | | | | | | |
|------|-----|------|-----|-----|-----|-----|-----|-----|-----|--|
| Ø | mm. | 100 | 110 | 120 | 125 | 125 | 135 | 140 | 150 | |
| L | m. | 650 | 600 | 540 | 450 | 500 | 400 | 380 | 300 | |

L = Length

Photos should be used as a guide only

IB
INTERNATIONAL

OCMIS
we irrigate the world

VIR8



WWW.IBINTERNATIONAL.COM.AU

| MOD. | | VIR8 | | | | | | | | | |
|------|-----|------|-----|-----|-----|-----|-----|-----|-----|-----|-----|
| Ø | mm. | 110 | 110 | 120 | 120 | 125 | 125 | 135 | 140 | 140 | 150 |
| L | m. | 650 | 700 | 600 | 650 | 550 | 600 | 500 | 450 | 470 | 380 |

L = Length

Photos should be used as a guide only



For Enquiries Please Call **07 3348 8300**

| MOD. | | VIR10 | | | | | | | | | | | | | | | |
|------|-----|-------|-----|-----|-----|-----|-----|-----|-----|-----|-----|-----|-----|-----|-----|-----|-----|
| Ø | mm. | 125 | 125 | 125 | 125 | 135 | 135 | 135 | 140 | 140 | 140 | 150 | 150 | 150 | 150 | 160 | 160 |
| L | m. | 650 | 700 | 720 | 750 | 600 | 650 | 700 | 500 | 550 | 600 | 450 | 500 | 550 | 600 | 440 | 480 |

L = Length

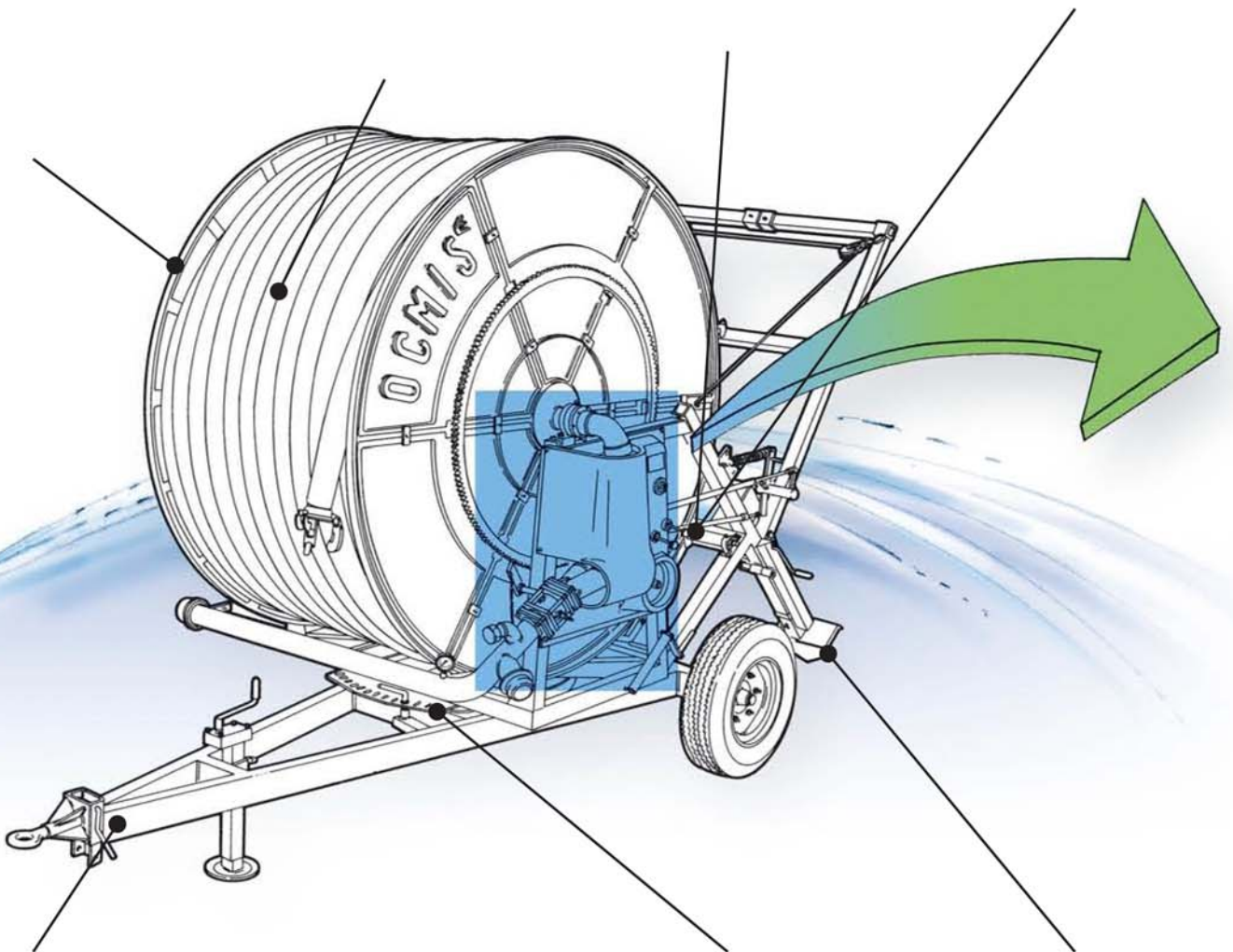
Photos should be used as a guide only

DRUM: engineered to guarantee maximum compactness of the structure. It is painted with epoxy primer and polyurethane compound paint using vanguard techniques.

PE HOSE: top quality PE hose manufactured to resist very heavy drags and very high working pressures.

HOSE GUIDE SYSTEM: a scroll bar system guarantees a perfect layering of the polyethylene hose and reduces hose wear to a minimum.

HOSE-GUIDE FORKS: double rail forks prevent the hose guide system from any mis-alignment.



FRAME: the chassis is made of bolted sections, composed of strong steel beams electronically welded by robots and hot dipped galvanized.

TROLLEYS: sprinkler trolleys available in 2 wheel - 4 wheel or 5 wheel versions according to model. All have adjustable track. Different versions of trolleys are available to meet the most varied work conditions.

TURNTABLES: turntables are mounted on large diameter ball bearings for easy rotation.

STABILIZING LEGS: Large mechanical or hydraulic stabilizer legs which assure stability to the machines even in the toughest working conditions.

A sturdy hydraulic choke-flow turbine is at the heart of every **OCMIS** irrigator. Thanks to the unique Turbo Speed System, OCMIS travelers have reached the highest levels of reliability, performance and functional operation unparalleled in the industry.

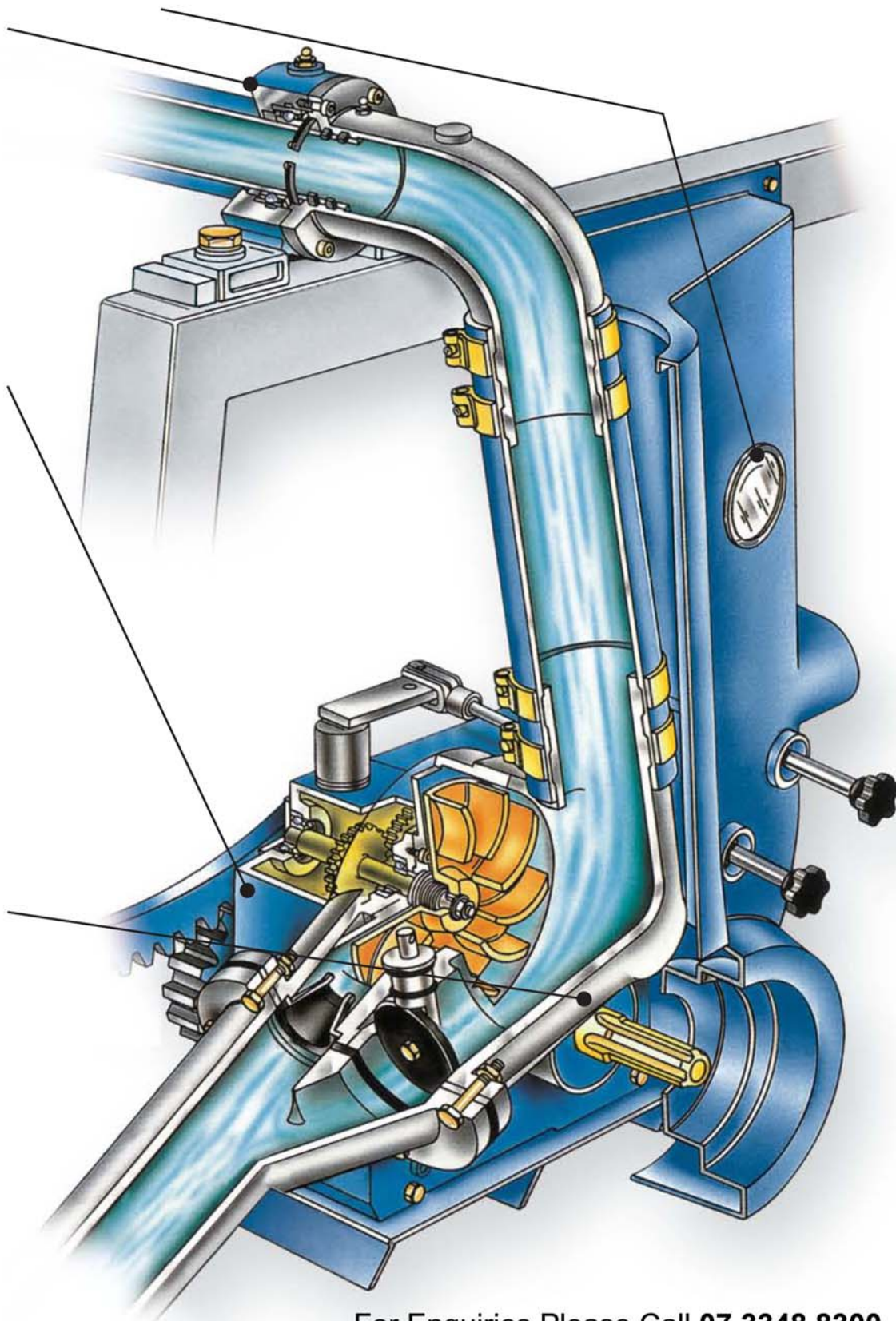
TACHOMETER: tachometer is a standard accessory to the irrigator, starting from structure R2/1. Retraction speed can be instantly read-out.

DRUM SUPPORTS:

Large water proof bearings for longer drum life – proven to last forever.

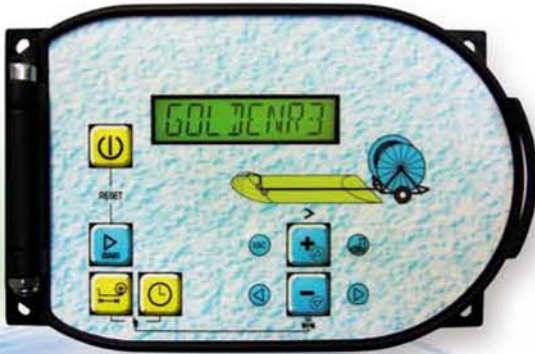
GEARBOX: 3-4-6 speed operation in an oil-bath gearbox fitted with tempered, hardened and rectified shafts. Shafts are designed to operate within toughest working conditions.

TURBINE: choke-flow turbine, having an outlet perpendicular to the by-passed entry. The turbine impeller is mounted directly onto the inlet shaft of gearbox. This advance design system reduces the head losses to give a wider speed range even when the flow and the inlet pressure of the machine are low.



For Enquiries Please Call 07 3348 8300

COMPUTER GOLDEN RAIN



The Computer Golden Rain requires programming the desired working speed in mt/h or ft/h
The monitor then indicates:

- Meters/feet of unwound hose.
- Remaining working time in hours and minutes.

COMPUTER AQUA SYSTEM



The Computer Aqua System features the following programmable functions:

- Working speed in mt/h or ft/h.
- Delayed start (in minutes) before retraction starts.
- Delayed stop (in minutes) before opening or closing the discharge valve (optional) or the shut-off valve (optional). This function allows a delay to the water shut-off when the gun-cart is in the stopped/end position.

The monitor then indicates:

- Meters/feet of unwound hose.
- Remaining working time in hours and minutes.
- Working speed in mt/h or ft/h.

COMPUTER RAIN CONTROL



The Computer Rain Control features the following programmable functions:

- Working speed in mt/h and ft/h
- Working time
- Choose the amount of precipitation (in mm or inches) to be applied (this feature only available when equipped with optional flow meter)
- Delayed start (in minutes) before retraction starts.
- Delayed stop (in minutes) before opening or closing the discharge valve (optional) or the shut-off valve (optional). This function allows a delay to the water shut-off when the gun-cart is in the stopped/end position.
- 4 working zones with different speeds per irrigation run
- 4 working zones with different application rates per irrigation run (only if the machine is equipped with optional flow meter).

The monitor then indicates:

- Meters/feet of unwound hose and hose pulled in.
- Day and time of completion.
- Flow in lit/min (gpm) and m³/h (only if the machine is equipped with flow meter which is optional).
- Working speed in mt/h or ft/h.
- Automatic shut-down in case of mechanical failure or incorrect settings.

Rain Control Computer can also be connected to a GSM modem for monitoring and data transmission alarm. The modem can contact 3 pre-set cell phone numbers showing the following failures:

- No pressure.
- Working speed problems.
- End of the run.

The operator can send a text message to the modem and control all the working parameters of the machine. In addition, through the text message he can shut-down the machine and receive a confirmation message.

MODEM GSM



For Enquiries Please Call **07 3348 8300**

1) DISCHARGE VALVE

Discharge membrane valve for automatic shut-off of the engine pump (pump must have low pressure shut-off).

2) SHUT-OFF VALVE

This valve is operated by a water piston or by an electric piston for a slow water shut-off at machine inlet.

3) **MECHANICAL ROTATION OF THE REEL** operated by a hand-crank gear for easy positioning of the drum.



7) **HYDRAULIC TURNTABLE, TONGUE JACK AND GUN CART LIFT/STABILIZERS** operated by a spool valve using tractor hydraulics (or engine if engine drive) for rotating reel, adjusting tongue jack height and lowering/raising gun-cart and stabilizer legs. Ideal for positioning big machines under extreme working conditions.

8) OFF-SET TROLLEY

5 wheel off-set trolley. Ideal for avoiding hose damage to certain crops and standard on most 4 wheel chassis machines.

For Enquiries Please Call **07 3348 8300**

4) BLOW-OUT COMPRESSOR

This enables you to empty the largest hose reels within 2-4 minutes, thus making them easy to transport.

5) UNDER-FOLIAGE EXTENSION

Extension for under-foliage irrigation with irrigation jet nozzles ideal for orchards and slurry.

6) ENGINE DRIVE MACHINE *optional hydraulic engine for winding in the hose on the drum (with or without turbine).*



9) SECOND GUN MOUNTED ON THE CART LIFT COMPLETE WITH VOLUMETRIC VALVE

10) SECOND RAIN GUN MOUNTED ON THE CART

11) SYSTEM FOR PULLING OUT THE HOSE ON THE REAR SIDE

| MOD. | A cm. | A inch. | B cm. | B inch. | C cm. | C inch. | D cm. | D inch. | E cm. | E inch. | F cm. | F inch. | G cm. | G inch. | H cm. | H inch. |
|------|-------|---------|-------|---------|-------|---------|-------|---------|-------|---------|-------|---------|-------|---------|-------|---------|
| VR4 | 387 | 152,4 | 332 | 130,7 | 328 | 129,1 | 270 | 106,3 | 224 | 88,2 | 266 | 104,7 | 246 | 96,9 | 315 | 124,0 |
| VR5 | 359 | 141,3 | 366 | 144,1 | 324 | 127,6 | 301 | 118,5 | 230 | 90,6 | 260 | 102,4 | 280 | 110,2 | 340 | 133,9 |
| VR6 | 359 | 141,3 | 395 | 155,5 | 353 | 139,0 | 330 | 129,9 | 230 | 90,6 | 260 | 102,4 | 309 | 121,7 | 350 | 137,8 |
| VR7 | 364 | 143,3 | 403 | 158,7 | 359 | 141,3 | 335 | 131,9 | 240 | 94,5 | 260 | 102,4 | 309 | 121,7 | 350 | 137,8 |
| VR8 | 520 | 204,7 | 435 | 171,3 | 400 | 157,5 | 369 | 145,3 | 220 | 86,6 | 243 | 95,7 | 334 | 131,5 | 470 | 185,0 |

| MOD. | A cm. | A inch. | B cm. | B inch. | C cm. | C inch. | D cm. | D inch. | E cm. | E inch. | F cm. | F inch. | G cm. | G inch. |
|-------|-------|---------|-------|---------|-------|---------|-------|---------|-------|---------|-------|---------|-------|---------|
| VIR4 | 346 | 136,2 | 334 | 131,5 | 294 | 115,7 | 276 | 108,7 | 216 | 85,0 | 266 | 104,7 | 246 | 96,9 |
| VIR5 | 378 | 148,8 | 366 | 144,1 | 329 | 129,5 | 304 | 119,7 | 260 | 102,4 | 280 | 110,2 | 280 | 110,2 |
| VIR6 | 390 | 153,5 | 395 | 155,5 | 358 | 140,9 | 333 | 131,1 | 260 | 102,4 | 280 | 110,2 | 309 | 121,7 |
| VIR7 | 436 | 171,7 | 395 | 155,5 | 362 | 142,5 | 336 | 132,3 | 260 | 102,4 | 282 | 111,0 | 309 | 121,7 |
| VIR8 | 470 | 185,0 | 430 | 169,3 | 389 | 153,1 | 364 | 143,3 | 218 | 85,8 | 285 | 112,2 | 334 | 131,5 |
| VIR10 | 514 | 202,4 | 451 | 177,6 | 419 | 165,0 | 396 | 155,9 | 242 | 95,3 | 303 | 119,3 | 363 | 142,9 |

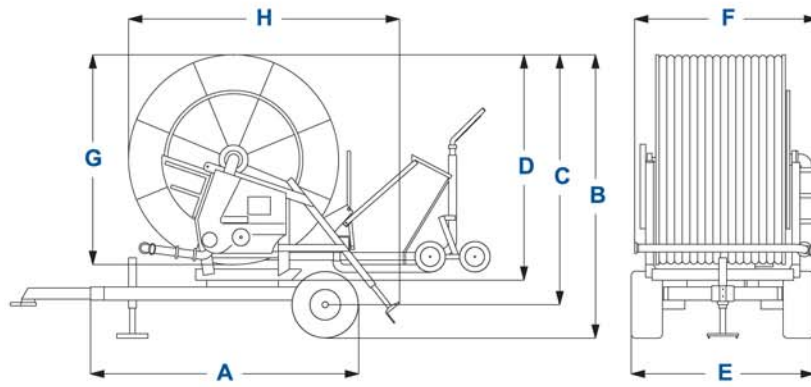
| MOD. | A cm. | A inch. | B cm. | B inch. | C cm. | C inch. | D cm. | D inch. | E cm. | E inch. | F cm. | F inch. | G cm. | G inch. |
|--------|-------|---------|-------|---------|-------|---------|-------|---------|-------|---------|-------|---------|-------|---------|
| VIR5M | 420 | 165,4 | 366 | 144,1 | 329 | 129,5 | 312 | 122,8 | 269 | 105,9 | 280 | 110,2 | 280 | 110,2 |
| VIR6M | 430 | 169,3 | 395 | 155,5 | 358 | 140,9 | 341 | 134,3 | 260 | 102,4 | 280 | 110,2 | 309 | 121,7 |
| VIR7M | 450 | 177,2 | 395 | 155,5 | 362 | 142,5 | 345 | 135,8 | 260 | 102,4 | 282 | 111,0 | 309 | 121,7 |
| IR4M | 530 | 208,7 | 428 | 168,5 | 401 | 157,9 | 388 | 152,8 | 245 | 96,5 | 316 | 124,4 | 369 | 145,3 |
| IR4M/1 | 530 | 208,7 | 438 | 172,4 | 411 | 161,8 | 398 | 156,7 | 245 | 96,5 | 316 | 124,4 | 369 | 145,3 |

| MOD. | A cm. | A inch. | B cm. | B inch. | C cm. | C inch. | D cm. | D inch. | E cm. | E inch. | F cm. | F inch. | G cm. | G inch. | H cm. | H inch. |
|---------------|-------|---------|-------|---------|-------|---------|-------|---------|-------|---------|-------|---------|-------|---------|-------|---------|
| R1 /1 | 310 | 122,0 | 230 | 90,6 | 190 | 74,8 | 184 | 72,4 | 170 | 66,9 | 185 | 72,8 | 169 | 66,5 | 215 | 84,6 |
| R2 | 340 | 133,9 | 265 | 104,3 | 245 | 96,5 | 225 | 88,6 | 210 | 82,7 | 225 | 88,6 | 199 | 78,3 | 250 | 98,4 |
| R2 /1 - R2 /2 | 350 | 137,8 | 296 | 116,5 | 265 | 104,3 | 244 | 96,1 | 210 | 82,7 | 225 | 88,6 | 224 | 88,2 | 280 | 110,2 |
| R3 | 370 | 145,7 | 305 | 120,1 | 286 | 112,6 | 265 | 104,3 | 210 | 82,7 | 225 | 88,6 | 246 | 96,9 | 280 | 110,2 |
| R3 /1 | 370 | 145,7 | 315 | 124,0 | 297 | 116,9 | 276 | 108,7 | 210 | 82,7 | 225 | 88,6 | 246 | 96,9 | 280 | 110,2 |
| R4 | 420 | 165,4 | 345 | 135,8 | 310 | 122,0 | 286 | 112,6 | 228 | 89,8 | 240 | 94,5 | 268 | 105,5 | 350 | 137,8 |
| R4 /1 | 420 | 165,4 | 360 | 141,7 | 333 | 131,1 | 303 | 119,3 | 233 | 91,7 | 250 | 98,4 | 280 | 110,2 | 350 | 137,8 |
| R4 /2 | 430 | 169,3 | 384 | 151,2 | 357 | 140,6 | 330 | 129,9 | 243 | 95,7 | 260 | 102,4 | 309 | 121,7 | 370 | 145,7 |

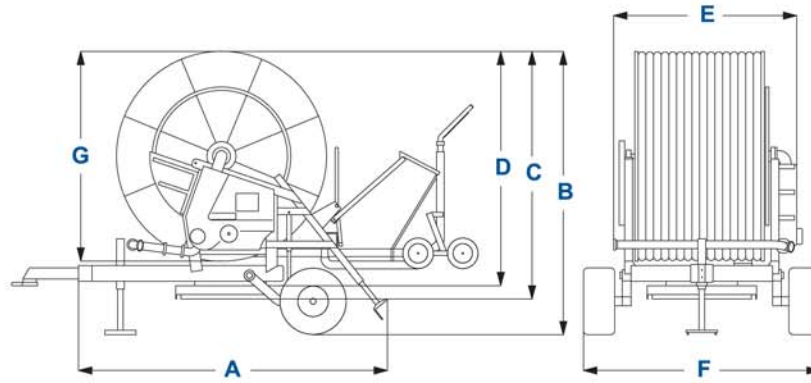
| MOD. | A cm. | A inch. | B cm. | B inch. | C cm. | C inch. | D cm. | D inch. | E cm. | E inch. | F cm. | F inch. | G cm. | G inch. |
|--------|-------|---------|-------|---------|-------|---------|-------|---------|-------|---------|-------|---------|-------|---------|
| IR1 | 330 | 129,9 | 308 | 121,3 | 311 | 122,4 | 266 | 104,7 | 220 | 86,6 | 248 | 97,6 | 246 | 96,9 |
| IR2 | 338 | 133,1 | 338 | 133,1 | 309 | 121,7 | 285 | 112,2 | 220 | 86,6 | 255 | 100,4 | 268 | 105,5 |
| IR2 /1 | 367 | 144,5 | 356 | 140,2 | 329 | 129,5 | 307 | 120,9 | 235 | 92,5 | 267 | 105,1 | 280 | 110,2 |
| IR2 /2 | 392 | 154,3 | 383 | 150,8 | 355 | 139,8 | 332 | 130,7 | 240 | 94,5 | 274 | 107,9 | 309 | 121,7 |

For Enquiries Please Call 07 3348 8300

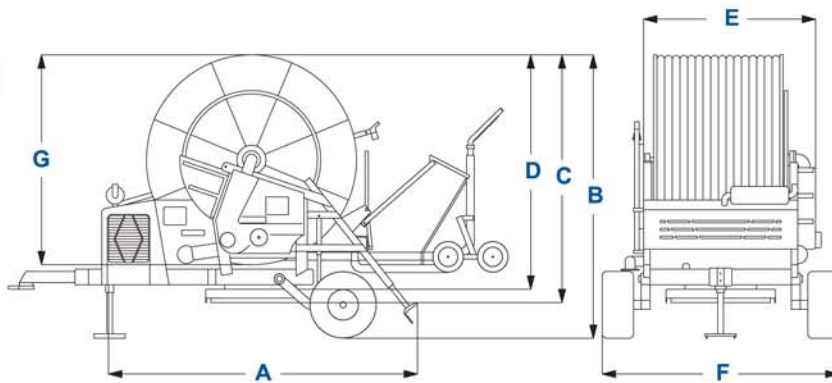
VR:



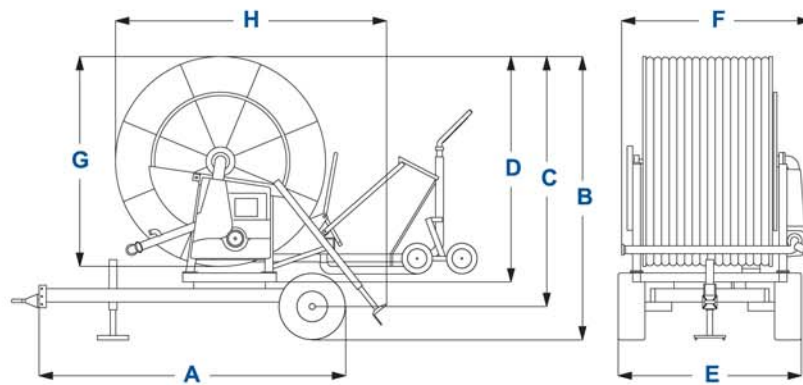
VIR:



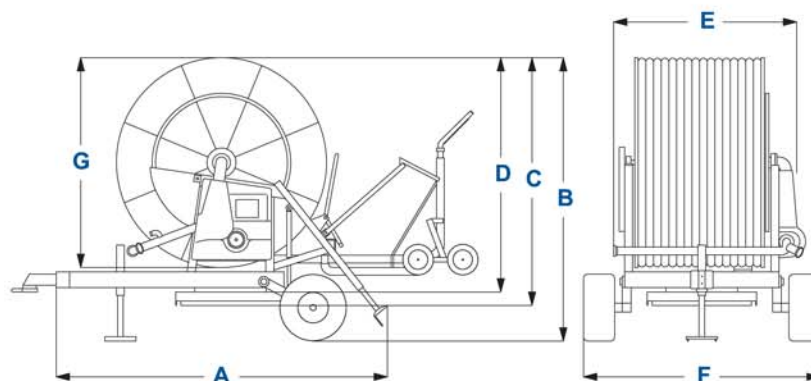
VIR MTP:



R:



IR:



For Enquiries Please Call 07 3348 8300



OCMIS
we irrigate the world

Tel. 07 3348 8300

Fax. 07 3348 8900

info@ibinternational.com.au

www.ibinternational.com.au

IB
INTERNATIONAL



ibinternational.com.au | [general catalogue](#)

IB
INTERNATIONAL

OCMIS
we irrigate the world

VR4



WWW.IBINTERNATIONAL.COM.AU

| MOD. | | VR4 | | | | | | | | | | | |
|------|-----|-----|-----|-----|-----|-----|-----|-----|-----|-----|-----|-----|-----|
| Ø | mm. | 82 | 90 | 90 | 90 | 90 | 100 | 100 | 100 | 110 | 110 | 110 | 120 |
| L | m. | 500 | 380 | 400 | 470 | 500 | 330 | 360 | 390 | 300 | 330 | 350 | 270 |

L = Length

Photos should be used as a guide only

IB
INTERNATIONAL

OCMIS
we irrigate the world

VR5



For Enquiries Please Call **07 3348 8300**

| MOD. | | VR5 | | | | | | | | | | |
|------|-----|-----|-----|-----|-----|-----|-----|-----|-----|-----|-----|-----|
| Ø | mm. | 100 | 100 | 110 | 110 | 110 | 120 | 125 | 125 | 125 | 135 | 140 |
| L | m. | 450 | 500 | 400 | 450 | 470 | 400 | 320 | 350 | 380 | 300 | 290 |

L = Length

Photos should be used as a guide only

IB
INTERNATIONAL

OCMIS
we irrigate the world

VR6



WWW.IBINTERNATIONAL.COM.AU

| MOD. | | VR6 | | | | | | | |
|------|-----|-----|-----|-----|-----|-----|-----|-----|-----|
| Ø | mm. | 100 | 110 | 110 | 120 | 125 | 125 | 135 | 140 |
| L | m. | 600 | 500 | 550 | 460 | 400 | 440 | 380 | 350 |

L = Length

Photos should be used as a guide only

IB OCMIS

we irrigate the world

INTERNATIONAL

VR7



For Enquiries Please Call 07 3348 8300

| MOD. | | VR7 | | | | | | | |
|------|-----|-----|-----|-----|-----|-----|-----|-----|-----|
| Ø | mm. | 100 | 110 | 110 | 120 | 125 | 125 | 135 | 140 |
| L | m. | 650 | 550 | 600 | 540 | 450 | 500 | 400 | 380 |

L = Length

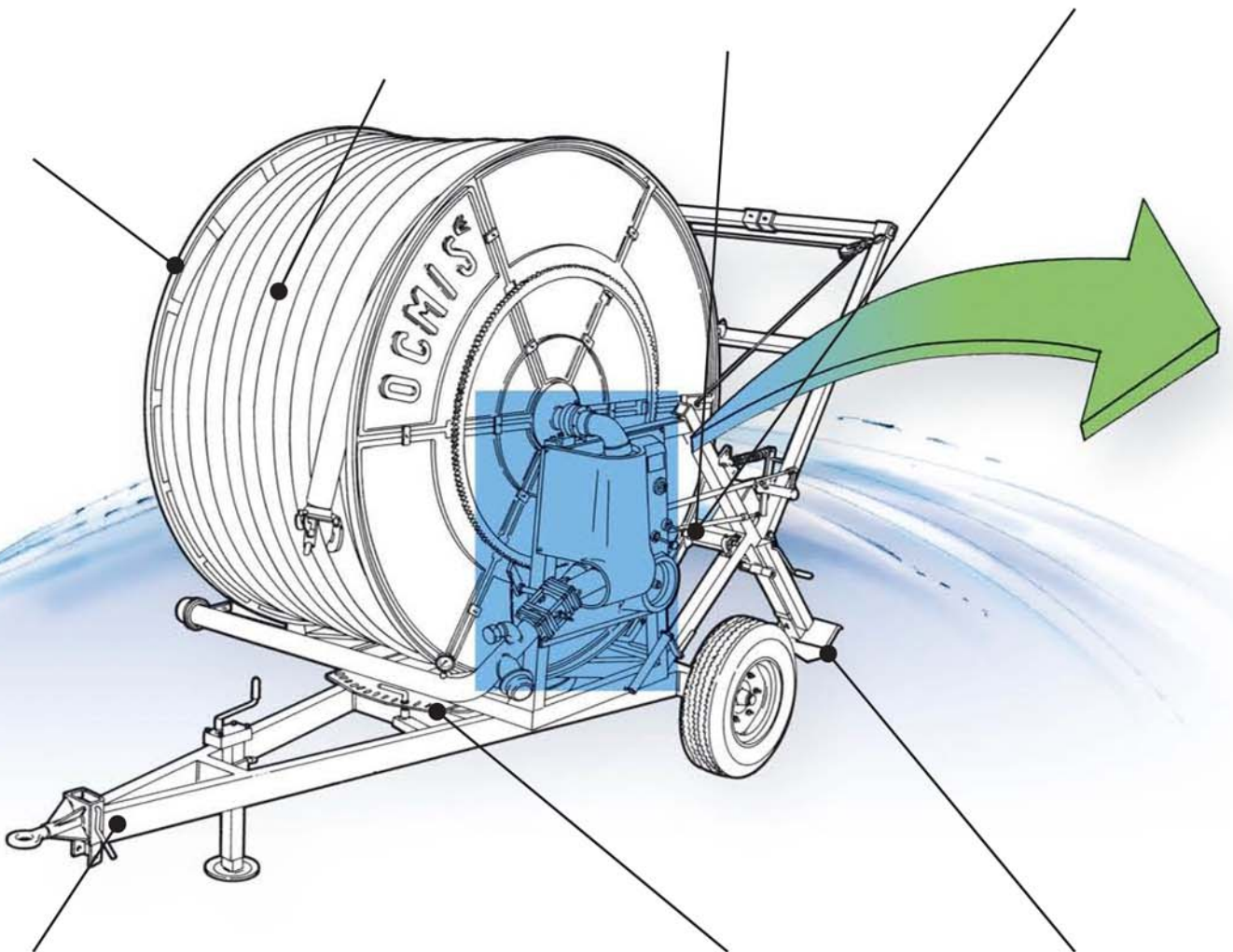
Photos should be used as a guide only

DRUM: engineered to guarantee maximum compactness of the structure. It is painted with epoxy primer and polyurethane compound paint using vanguard techniques.

PE HOSE: top quality PE hose manufactured to resist very heavy drags and very high working pressures.

HOSE GUIDE SYSTEM: a scroll bar system guarantees a perfect layering of the polyethylene hose and reduces hose wear to a minimum.

HOSE-GUIDE FORKS: double rail forks prevent the hose guide system from any mis-alignment.



FRAME: the chassis is made of bolted sections, composed of strong steel beams electronically welded by robots and hot dipped galvanized.

TROLLEYS: sprinkler trolleys available in 2 wheel - 4 wheel or 5 wheel versions according to model. All have adjustable track. Different versions of trolleys are available to meet the most varied work conditions.

TURNTABLES: turntables are mounted on large diameter ball bearings for easy rotation.

STABILIZING LEGS: Large mechanical or hydraulic stabilizer legs which assure stability to the machines even in the toughest working conditions.

A sturdy hydraulic choke-flow turbine is at the heart of every **OCMIS** irrigator. Thanks to the unique Turbo Speed System, OCMIS travelers have reached the highest levels of reliability, performance and functional operation unparalleled in the industry.

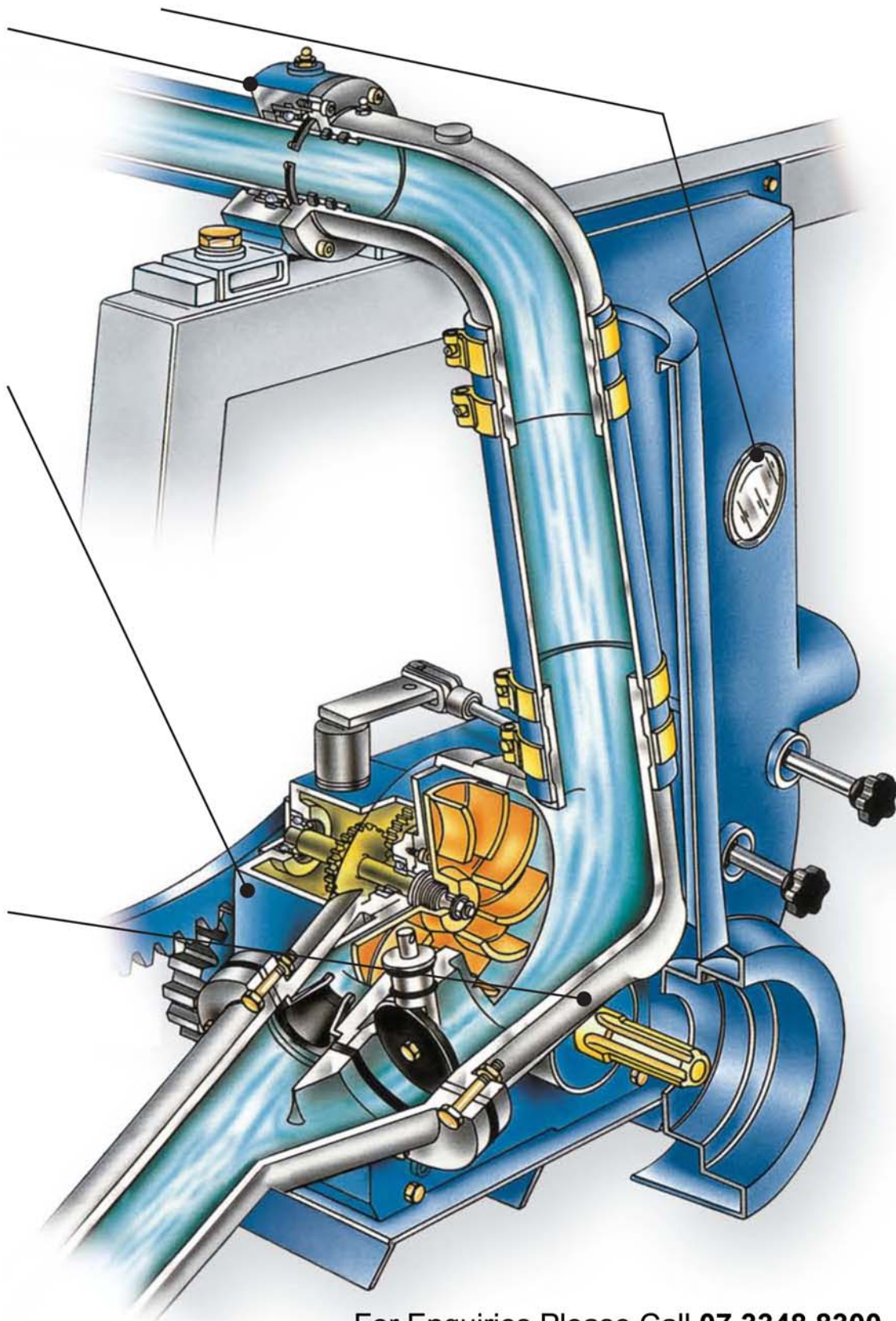
TACHOMETER: tachometer is a standard accessory to the irrigator, starting from structure R2/1. Retraction speed can be instantly read-out.

DRUM SUPPORTS:

Large water proof bearings for longer drum life – proven to last forever.

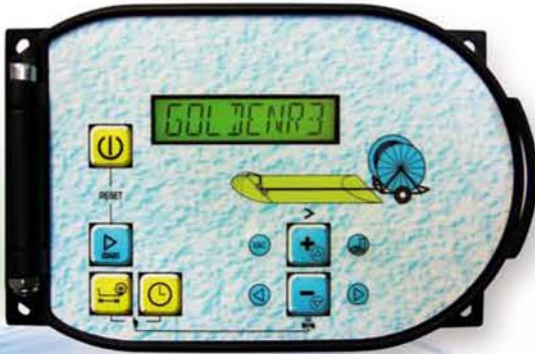
GEARBOX: 3-4-6 speed operation in an oil-bath gearbox fitted with tempered, hardened and rectified shafts. Shafts are designed to operate within toughest working conditions.

TURBINE: choke-flow turbine, having an outlet perpendicular to the by-passed entry. The turbine impeller is mounted directly onto the inlet shaft of gearbox. This advance design system reduces the head losses to give a wider speed range even when the flow and the inlet pressure of the machine are low.



For Enquiries Please Call 07 3348 8300

COMPUTER GOLDEN RAIN



The Computer Golden Rain requires programming the desired working speed in mt/h or ft/h
The monitor then indicates:

- Meters/feet of unwound hose.
- Remaining working time in hours and minutes.

COMPUTER AQUA SYSTEM



The Computer Aqua System features the following programmable functions:

- Working speed in mt/h or ft/h.
- Delayed start (in minutes) before retraction starts.
- Delayed stop (in minutes) before opening or closing the discharge valve (optional) or the shut-off valve (optional). This function allows a delay to the water shut-off when the gun-cart is in the stopped/end position.

The monitor then indicates:

- Meters/feet of unwound hose.
- Remaining working time in hours and minutes.
- Working speed in mt/h or ft/h.

COMPUTER RAIN CONTROL



The Computer Rain Control features the following programmable functions:

- Working speed in mt/h and ft/h
- Working time
- Choose the amount of precipitation (in mm or inches) to be applied (this feature only available when equipped with optional flow meter)
- Delayed start (in minutes) before retraction starts.
- Delayed stop (in minutes) before opening or closing the discharge valve (optional) or the shut-off valve (optional). This function allows a delay to the water shut-off when the gun-cart is in the stopped/end position.
- 4 working zones with different speeds per irrigation run
- 4 working zones with different application rates per irrigation run (only if the machine is equipped with optional flow meter).

The monitor then indicates:

- Meters/feet of unwound hose and hose pulled in.
- Day and time of completion.
- Flow in lit/min (gpm) and m³/h (only if the machine is equipped with flow meter which is optional).
- Working speed in mt/h or ft/h.
- Automatic shut-down in case of mechanical failure or incorrect settings.

Rain Control Computer can also be connected to a GSM modem for monitoring and data transmission alarm. The modem can contact 3 pre-set cell phone numbers showing the following failures:

- No pressure.
- Working speed problems.
- End of the run.

The operator can send a text message to the modem and control all the working parameters of the machine. In addition, through the text message he can shut-down the machine and receive a confirmation message.

MODEM GSM



For Enquiries Please Call **07 3348 8300**

1) DISCHARGE VALVE

Discharge membrane valve for automatic shut-off of the engine pump (pump must have low pressure shut-off).

2) SHUT-OFF VALVE

This valve is operated by a water piston or by an electric piston for a slow water shut-off at machine inlet.

3) **MECHANICAL ROTATION OF THE REEL** operated by a hand-crank gear for easy positioning of the drum.



7) **HYDRAULIC TURNTABLE, TONGUE JACK AND GUN CART LIFT/STABILIZERS** operated by a spool valve using tractor hydraulics (or engine if engine drive) for rotating reel, adjusting tongue jack height and lowering/raising gun-cart and stabilizer legs. Ideal for positioning big machines under extreme working conditions.

8) OFF-SET TROLLEY

5 wheel off-set trolley. Ideal for avoiding hose damage to certain crops and standard on most 4 wheel chassis machines.

For Enquiries Please Call **07 3348 8300**

4) BLOW-OUT COMPRESSOR

This enables you to empty the largest hose reels within 2-4 minutes, thus making them easy to transport.

5) UNDER-FOLIAGE EXTENSION

Extension for under-foliage irrigation with irrigation jet nozzles ideal for orchards and slurry.

6) ENGINE DRIVE MACHINE *optional hydraulic engine for winding in the hose on the drum (with or without turbine).*



9) SECOND GUN MOUNTED ON THE CART LIFT COMPLETE WITH VOLUMETRIC VALVE

10) SECOND RAIN GUN MOUNTED ON THE CART

11) SYSTEM FOR PULLING OUT THE HOSE ON THE REAR SIDE

| MOD. | A cm. | A inch. | B cm. | B inch. | C cm. | C inch. | D cm. | D inch. | E cm. | E inch. | F cm. | F inch. | G cm. | G inch. | H cm. | H inch. |
|------|-------|---------|-------|---------|-------|---------|-------|---------|-------|---------|-------|---------|-------|---------|-------|---------|
| VR4 | 387 | 152,4 | 332 | 130,7 | 328 | 129,1 | 270 | 106,3 | 224 | 88,2 | 266 | 104,7 | 246 | 96,9 | 315 | 124,0 |
| VR5 | 359 | 141,3 | 366 | 144,1 | 324 | 127,6 | 301 | 118,5 | 230 | 90,6 | 260 | 102,4 | 280 | 110,2 | 340 | 133,9 |
| VR6 | 359 | 141,3 | 395 | 155,5 | 353 | 139,0 | 330 | 129,9 | 230 | 90,6 | 260 | 102,4 | 309 | 121,7 | 350 | 137,8 |
| VR7 | 364 | 143,3 | 403 | 158,7 | 359 | 141,3 | 335 | 131,9 | 240 | 94,5 | 260 | 102,4 | 309 | 121,7 | 350 | 137,8 |
| VR8 | 520 | 204,7 | 435 | 171,3 | 400 | 157,5 | 369 | 145,3 | 220 | 86,6 | 243 | 95,7 | 334 | 131,5 | 470 | 185,0 |

| MOD. | A cm. | A inch. | B cm. | B inch. | C cm. | C inch. | D cm. | D inch. | E cm. | E inch. | F cm. | F inch. | G cm. | G inch. |
|-------|-------|---------|-------|---------|-------|---------|-------|---------|-------|---------|-------|---------|-------|---------|
| VIR4 | 346 | 136,2 | 334 | 131,5 | 294 | 115,7 | 276 | 108,7 | 216 | 85,0 | 266 | 104,7 | 246 | 96,9 |
| VIR5 | 378 | 148,8 | 366 | 144,1 | 329 | 129,5 | 304 | 119,7 | 260 | 102,4 | 280 | 110,2 | 280 | 110,2 |
| VIR6 | 390 | 153,5 | 395 | 155,5 | 358 | 140,9 | 333 | 131,1 | 260 | 102,4 | 280 | 110,2 | 309 | 121,7 |
| VIR7 | 436 | 171,7 | 395 | 155,5 | 362 | 142,5 | 336 | 132,3 | 260 | 102,4 | 282 | 111,0 | 309 | 121,7 |
| VIR8 | 470 | 185,0 | 430 | 169,3 | 389 | 153,1 | 364 | 143,3 | 218 | 85,8 | 285 | 112,2 | 334 | 131,5 |
| VIR10 | 514 | 202,4 | 451 | 177,6 | 419 | 165,0 | 396 | 155,9 | 242 | 95,3 | 303 | 119,3 | 363 | 142,9 |

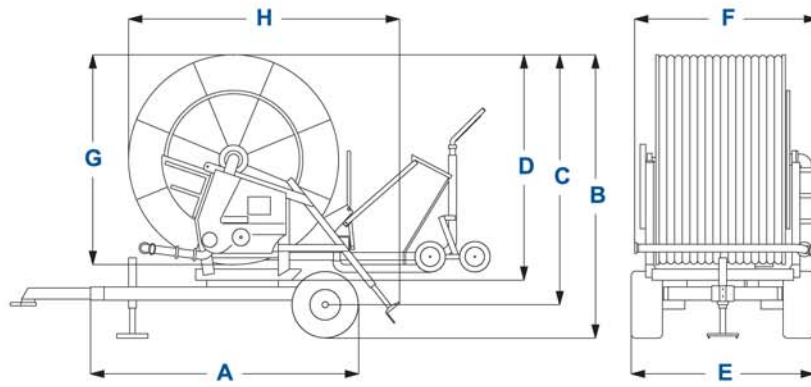
| MOD. | A cm. | A inch. | B cm. | B inch. | C cm. | C inch. | D cm. | D inch. | E cm. | E inch. | F cm. | F inch. | G cm. | G inch. |
|--------|-------|---------|-------|---------|-------|---------|-------|---------|-------|---------|-------|---------|-------|---------|
| VIR5M | 420 | 165,4 | 366 | 144,1 | 329 | 129,5 | 312 | 122,8 | 269 | 105,9 | 280 | 110,2 | 280 | 110,2 |
| VIR6M | 430 | 169,3 | 395 | 155,5 | 358 | 140,9 | 341 | 134,3 | 260 | 102,4 | 280 | 110,2 | 309 | 121,7 |
| VIR7M | 450 | 177,2 | 395 | 155,5 | 362 | 142,5 | 345 | 135,8 | 260 | 102,4 | 282 | 111,0 | 309 | 121,7 |
| IR4M | 530 | 208,7 | 428 | 168,5 | 401 | 157,9 | 388 | 152,8 | 245 | 96,5 | 316 | 124,4 | 369 | 145,3 |
| IR4M/1 | 530 | 208,7 | 438 | 172,4 | 411 | 161,8 | 398 | 156,7 | 245 | 96,5 | 316 | 124,4 | 369 | 145,3 |

| MOD. | A cm. | A inch. | B cm. | B inch. | C cm. | C inch. | D cm. | D inch. | E cm. | E inch. | F cm. | F inch. | G cm. | G inch. | H cm. | H inch. |
|---------------|-------|---------|-------|---------|-------|---------|-------|---------|-------|---------|-------|---------|-------|---------|-------|---------|
| R1 /1 | 310 | 122,0 | 230 | 90,6 | 190 | 74,8 | 184 | 72,4 | 170 | 66,9 | 185 | 72,8 | 169 | 66,5 | 215 | 84,6 |
| R2 | 340 | 133,9 | 265 | 104,3 | 245 | 96,5 | 225 | 88,6 | 210 | 82,7 | 225 | 88,6 | 199 | 78,3 | 250 | 98,4 |
| R2 /1 - R2 /2 | 350 | 137,8 | 296 | 116,5 | 265 | 104,3 | 244 | 96,1 | 210 | 82,7 | 225 | 88,6 | 224 | 88,2 | 280 | 110,2 |
| R3 | 370 | 145,7 | 305 | 120,1 | 286 | 112,6 | 265 | 104,3 | 210 | 82,7 | 225 | 88,6 | 246 | 96,9 | 280 | 110,2 |
| R3 /1 | 370 | 145,7 | 315 | 124,0 | 297 | 116,9 | 276 | 108,7 | 210 | 82,7 | 225 | 88,6 | 246 | 96,9 | 280 | 110,2 |
| R4 | 420 | 165,4 | 345 | 135,8 | 310 | 122,0 | 286 | 112,6 | 228 | 89,8 | 240 | 94,5 | 268 | 105,5 | 350 | 137,8 |
| R4 /1 | 420 | 165,4 | 360 | 141,7 | 333 | 131,1 | 303 | 119,3 | 233 | 91,7 | 250 | 98,4 | 280 | 110,2 | 350 | 137,8 |
| R4 /2 | 430 | 169,3 | 384 | 151,2 | 357 | 140,6 | 330 | 129,9 | 243 | 95,7 | 260 | 102,4 | 309 | 121,7 | 370 | 145,7 |

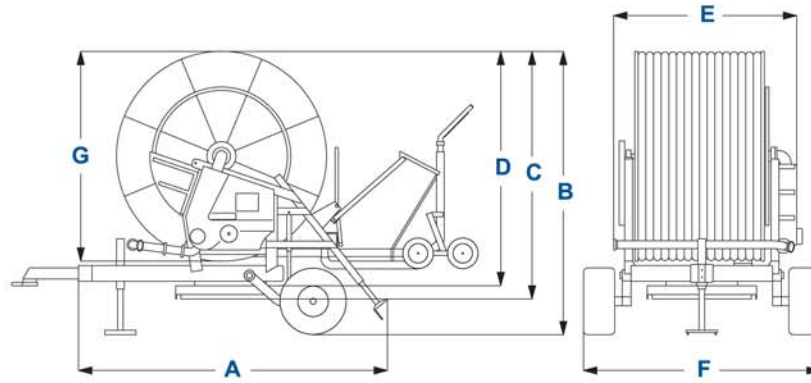
| MOD. | A cm. | A inch. | B cm. | B inch. | C cm. | C inch. | D cm. | D inch. | E cm. | E inch. | F cm. | F inch. | G cm. | G inch. |
|--------|-------|---------|-------|---------|-------|---------|-------|---------|-------|---------|-------|---------|-------|---------|
| IR1 | 330 | 129,9 | 308 | 121,3 | 311 | 122,4 | 266 | 104,7 | 220 | 86,6 | 248 | 97,6 | 246 | 96,9 |
| IR2 | 338 | 133,1 | 338 | 133,1 | 309 | 121,7 | 285 | 112,2 | 220 | 86,6 | 255 | 100,4 | 268 | 105,5 |
| IR2 /1 | 367 | 144,5 | 356 | 140,2 | 329 | 129,5 | 307 | 120,9 | 235 | 92,5 | 267 | 105,1 | 280 | 110,2 |
| IR2 /2 | 392 | 154,3 | 383 | 150,8 | 355 | 139,8 | 332 | 130,7 | 240 | 94,5 | 274 | 107,9 | 309 | 121,7 |

For Enquiries Please Call **07 3348 8300**

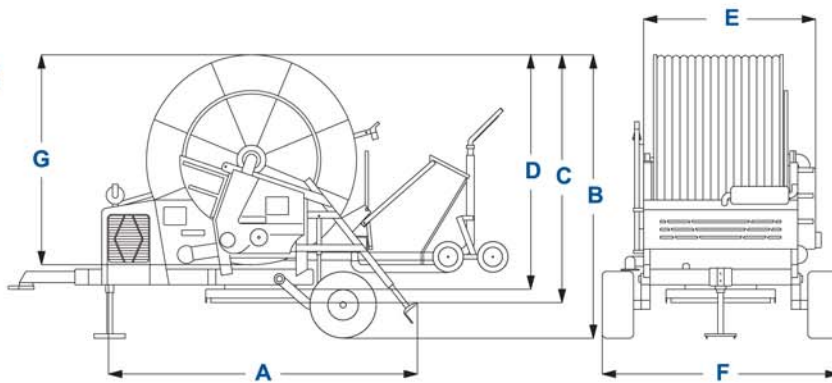
VR:



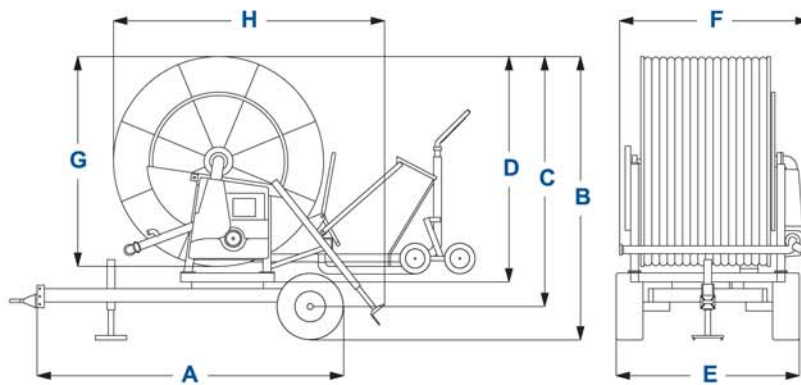
VIR:



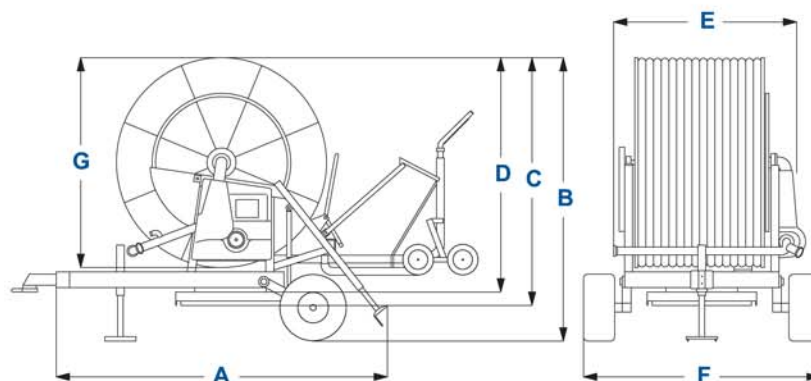
VIR MTP:



R:



IR:



For Enquiries Please Call 07 3348 8300



OCMIS
we irrigate the world

Tel. 07 3348 8300

Fax. 07 3348 8900

info@ibinternational.com.au

www.ibinternational.com.au

IB
INTERNATIONAL



ibinternational.com.au | [general catalogue](#)